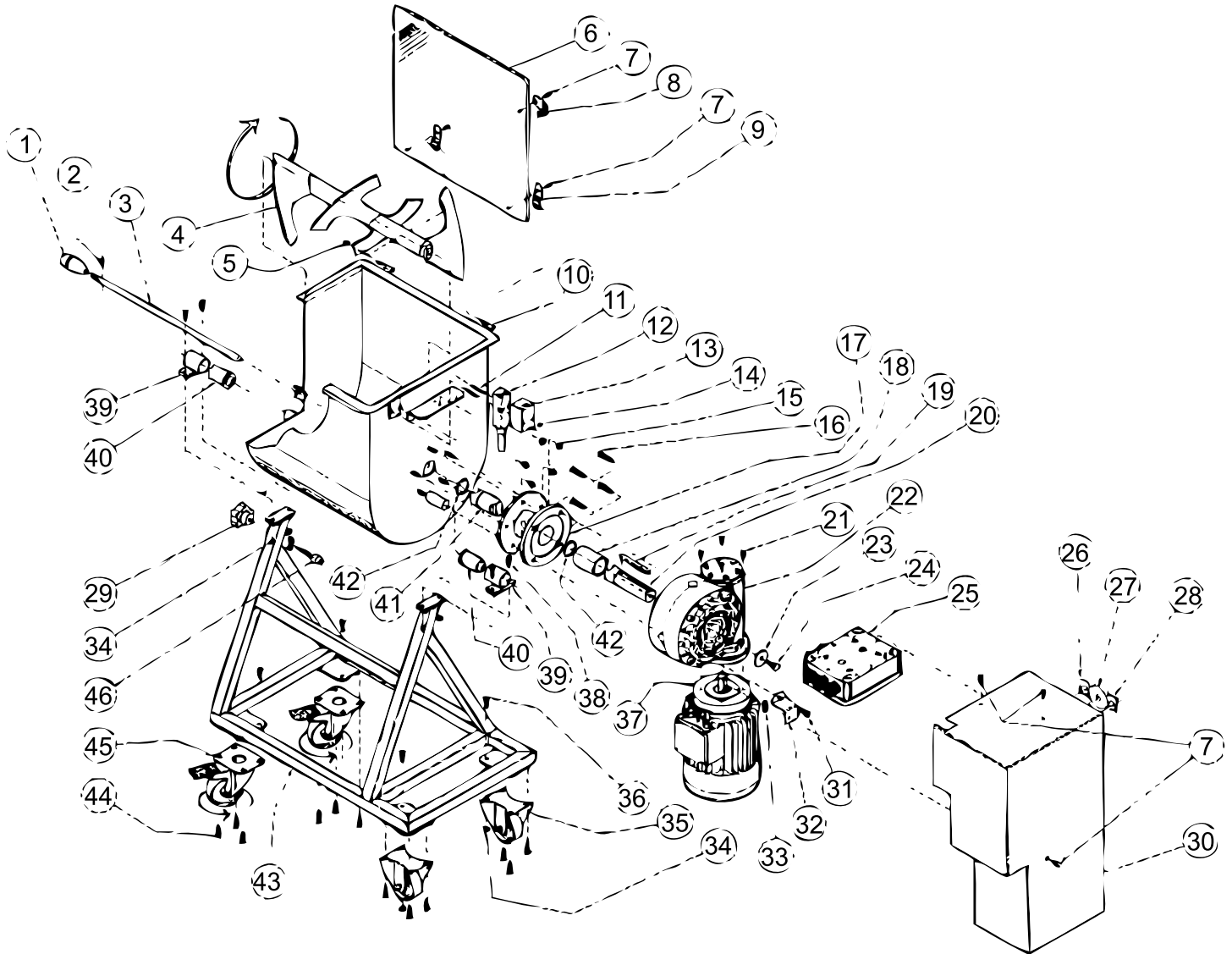


Parts Breakdown

Model MM-IT-0050-110V 47094



Parts Breakdown

Model MM-IT-0050-110V 47094

Item No.	Description	Position	Item No.	Description	Position	Item No.	Description	Position
42385	Handle M10 for 47094	1	43808	Support Gear 50-75 Single Blade for 47094	17	42256	Key Shaft 6x8 L40 for 47094	33
42386	Elastic Pin 5x18 for 47094	2	43809	Bush Teflon Shaft Gear Single Blade 50-75 kg. for 47094	18	42257	Inox Nut M8 for 47094	34
42387	Paddle Shaft 50 kg Single Blade for 47094	3	43810	Key Shaft 8x10 L.70 for 47094	19	42258	Fixed Wheel Cart for 47094	35
42388	Pala 50 kg Single Blade for 47094	4	43811	Shaft Gear 50-75 kg. Single Blade for 47094	20	42259	Hex Head Screw M8x16 Inox for 47094	36
42389	Inox Nut M6 for 47094	5	43812	Hex Head Screw M8x25 Zinc for 47094	21	AG590	Engine 50 HP 2 Single Blade 50-75 kg. for 47094	37
42390	Cover Transparent 50 kg. Single Blade for 47094	6	43813	Motor Reduction Unit for 47094	22	42261	Hex Head Screw M8x16 Inox for 47094	38
42391	Head Screw M6x10 Inox Hexagon for 47094	7	43814	Flat Washer Galvanized 10x40 for 47094	23	47262	Group Rotation Tank Mod. Long for 47094	39
42392	Bracket Micro for 47094	8	42270	Hex Head Screw M18x20 Zincata for 47094	24	42263	Bush Teflon Group Rotation Mod. Long for 47094	40
42393	Hinge for 47094	9	AG589	Complete Panel Electric Model for 47094	25	42264	Fitting Shaft - Pala for 47094	41
42394	Vasea 50 kg. Single Blade for 47094	10	42249	Plate Indicator Run - Next for 47094	26	42265	O Ring Round Section 040 for 47094	42
43802	Threaded Stud M5x45 for 47094	11	42250	Marker Plate - Emergency Stop for 47094	27	42266	Cart 50 kg. Single Blade for 47094	43
43803	Micro Blocking Safety for 47094	12	42251	Plate Indicator Run - Back for 47094	28	42267	Hex Head Screw M8x10 Inox for 47094	44
43804	Carter Micro 50-75 Single Blade 50-80-100 for 47094	13	42252	Flyer M10 for 47094	29	42268	Revolving Wheel with Brake Cart for 47094	45
43805	Inox Nut M5 for 47094	14	42253	Carter 50-75 kg. Single Blade V1 for 47094	30	42269	Freeze Rotation Basin for 47094	46
43806	Locking Nut Stainless M8 for 47094	15	42254	Screw Head CA Esainc Zincata M8x20 for 47094	31			
43807	Screw Hex Head Galvanized M10x25 for 47094	16	42255	Bracket Locking Carter Single Blade for 47094	32			